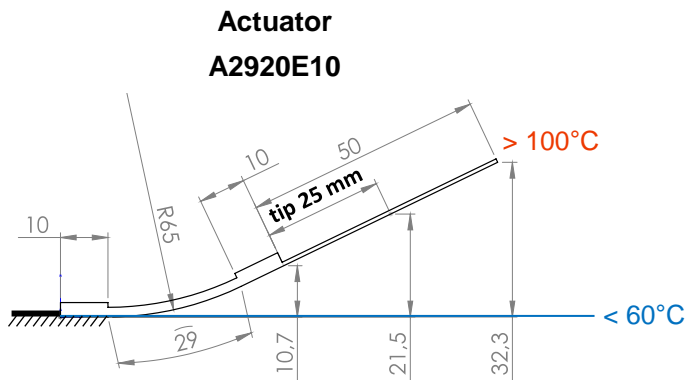


# Datasheet Actuator: *Curve*® plugged A2920E10

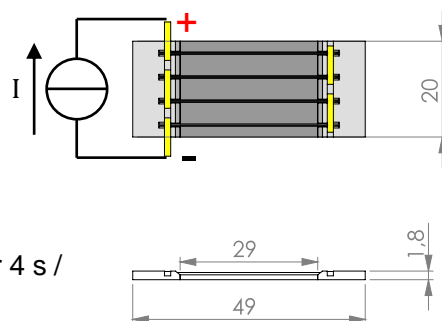
- Active length: **29 mm**
- Module size: **49 mm x 20 mm x 1.8 mm**
- Bending: **high (E10)**
- Weight: **2.0 g + hosting structure**
- Hosting structure: **steel + rivets, tip 25 mm**  
size 84 x 20 x 0.35 mm<sup>3</sup>

- Load range with high cycling stability (> 300.000)
  - at module edge: **410 g**
  - at 25 mm: **250 g**
  - at 50 mm: **180 g**

- Operating mode: **plugged**
- Thermal activation by: **resistive heating**
- Electronic circuit: **all wires in series**
- Resistivity: **0.6 Ohm**
- Full Activation (DC): **e.g. 3 A for 15 s / 4 A for 4 s / 5 A for 1.3 s**



**M2920E10 – Actuator Module only**



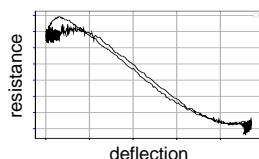
© CompActive GmbH

All values are only estimations!

## Customized, high-performance actuators by ...

### ... high-tech solutions

- reliable load transfer
- proven cycle stability
- injection molded frame elements
- special SMA material specifications
- high temperature FRP
- self-sensing capability

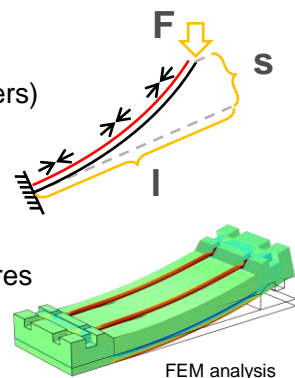


### ... customized mechanical fixation

- adhesive films
- liquid adhesives
- bolts, rivets, screws
- plug-on

### ... individual design

- substrate (metals, polymers)
- size
- deflection
- load / cycles
- wire material / temperatures
- electrical resistance



### ... various electrical connection

- crimping
- soldering
- plugging in
- welding



© CompActive GmbH